

M SERIES

SIMPLICITY AND WELFARE

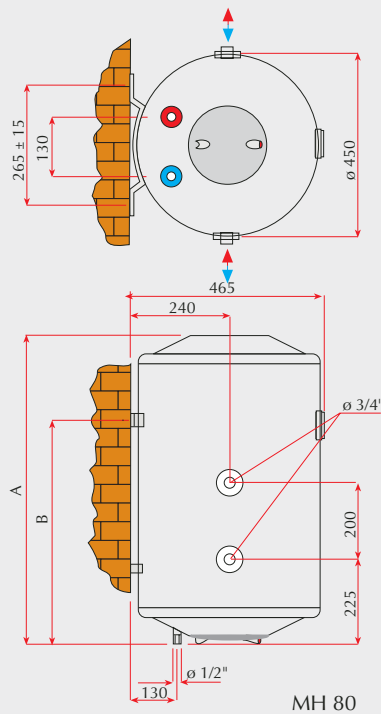
The M series is characterized by a significant ratio of quality to price.

Thanks to the continuous commitment of Idropi in maintaining high quality standards and in complying with the market's requests, our company has projected this range of water heaters that has become the pride and joy of our company.

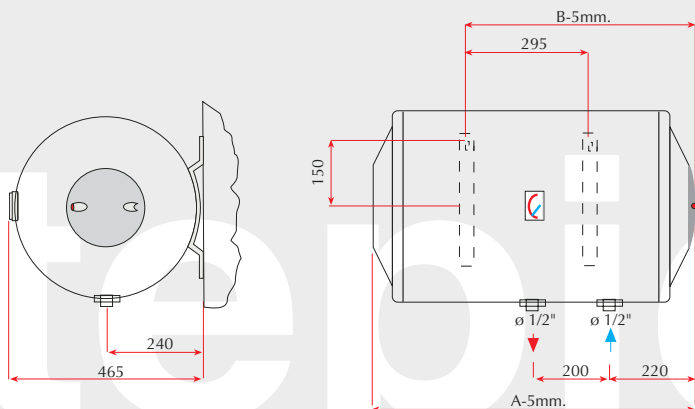
Thanks to the 50-80-100 litre models, the M series represents the right balance between service and easy installation, simple design and reliability. This kind of water heaters guarantees long lasting performance thanks to the 860 °C enamelled steel boiler, screw type heating element and magnesium anode for further anti-corrosion protection.

A wide range of products satisfies all requests: from the horizontal assembling version for those who have space problems, to the thermoelectric version that allows the use of central heating to produce hot water with a high-output bilateral heat exchanger; equipped with a connection on both sides to make installation easier.

High density thermal insulation made up of high-density polyurethane CFC free foam respects the environment.



MH 80



- 1 - Inspection cover
- 3 - Brand Name
- 4 - Screws for inspection cover
- 5 - Identification plate
- 6 - Safety thermostat
- 7 - O-Ring heating element
- 8 - Heating element (screw type)
- 9 - Magnesium anode
- 10 - Jet breaker
- 11 - Water tank
- 12 - Polyurethane foam insulation
- 13 - Adapter
- 14 - Stainless extension for outlet water pipe
- 15 - Earth plate
- 16 - Earth screw
- 17 - Screw tank holder
- 18 - Red ring
- 19 - Blue ring
- 20 - Thread protection
- 21 - Safety and non-return valve
- 22 - Flexible protection
- 23 - Jacket
- 24 - Thermometer
- 25 - Top cover
- 26 - Mounting bracket
- 27 - Spacer
- 32 - Bottom cover
- 34 - Anode holder
- 35 - Pilot lamp
- 37 - Cover inspection

