

MAXI SERIES

SIMPLICITY

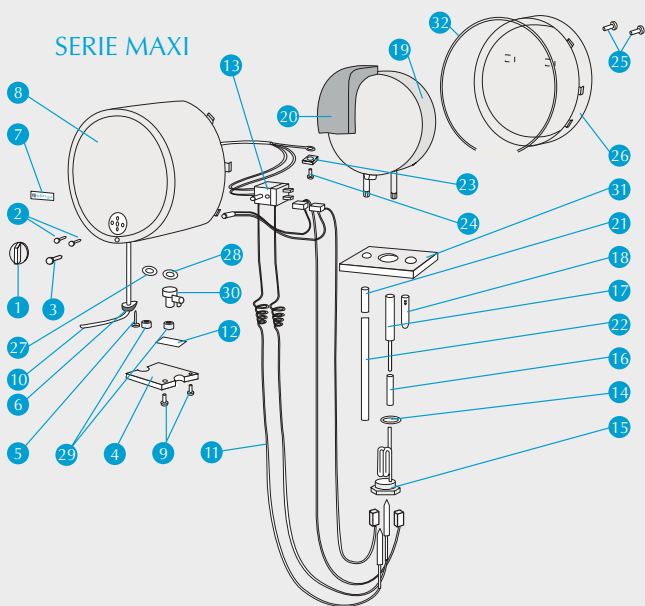
This 30 nominal litres water heater is easy to install thanks to its small size; it is planned and manufactured with care to ensure maximum functionality, service and long life. Useful in the kitchen for frequent needs of hot water.

860 °C Bayer process enamelling of the steel boiler (according to the norm DIN 4753) plus magnesium anode ensure a long lasting protection against corrosion.

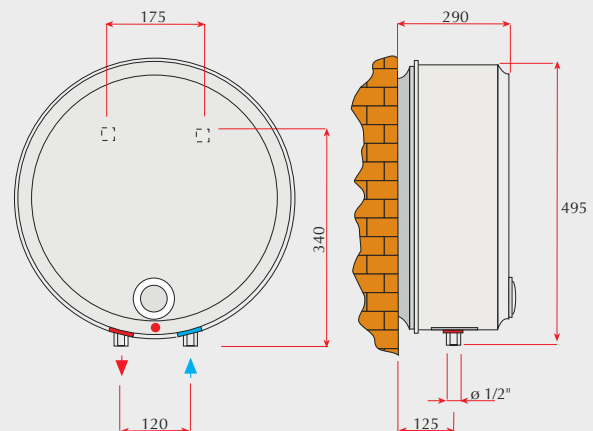
Armoured resistance in both above or below the sink models are equipped with an adjustable thermostat and with safety against over-heating.

Hydraulic safety valve is calibrated at 8 bar.

Insulation made up by polyurethane foam CFC free respects the environment.



- | | |
|-----------------------------------|--|
| 1 - Thermostat knob | 19 - Water tank |
| 2 - Thermostat screws | 20 - Polyurethane foam insulation |
| 3 - Pilot lamp | 21 - Adaptor |
| 4 - Inspection cover | 22 - Stainless extension for outlet water pipe |
| 5 - Screws for cable block | 23 - Earth plate |
| 6 - Cable block | 24 - Earth screw |
| 7 - Brand name | 25 - Screw tank holder |
| 8 - Frontal cover | 26 - Back case |
| 9 - Screw for inspection cover | 27 - Red ring |
| 10 - Power wire | 28 - Blue ring |
| 11 - Wiring with pilot lamp | 29 - Thread protection |
| 12 - Identification plate | 30 - Safety and non return valve |
| 13 - Safety thermostat | 31 - Flexible protection |
| 14 - O-Ring heating element | 32 - Chrome-plated profile |
| 15 - Heating element (screw type) | 33 - Cable and binding-screw |
| 16 - Protection for anode shank | 34 - Lock for thermostat cables |
| 17 - Magnesium anode | 35 - Screw |
| 18 - Jet breaker | |



lapido